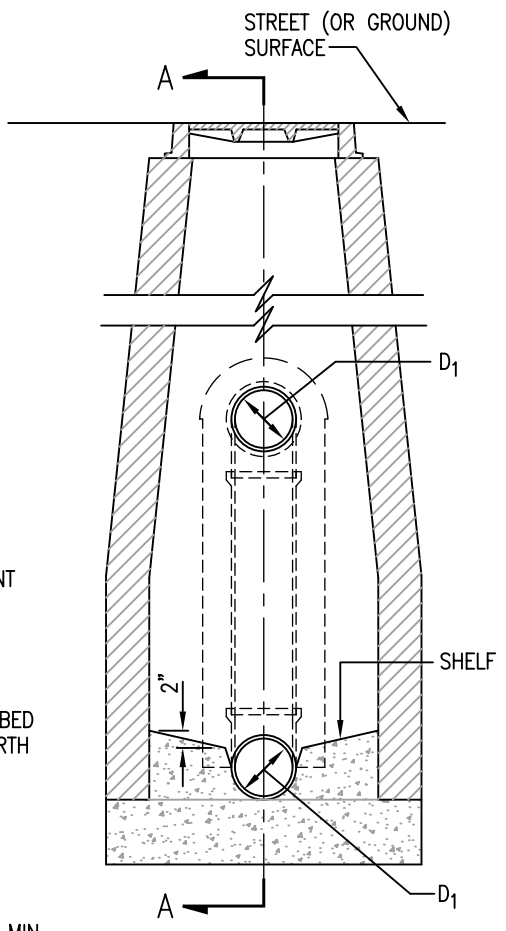
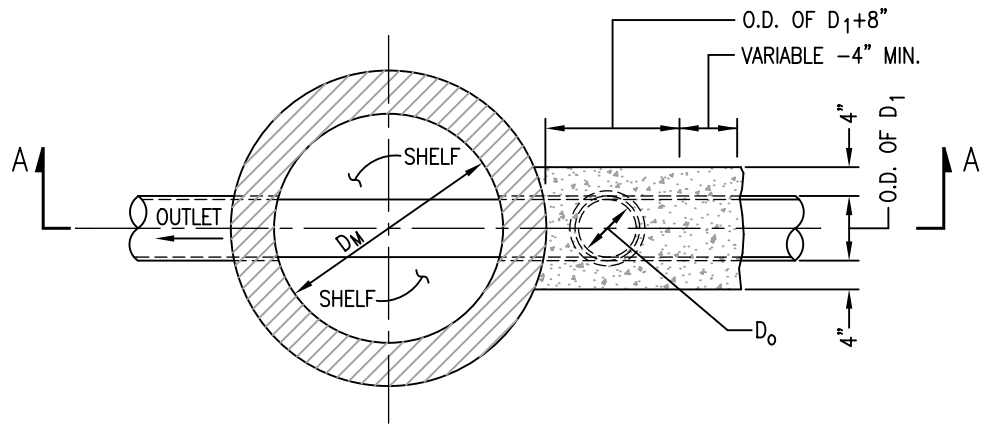


**SECTION A-A**  
NOT TO SCALE



**SECTION B-B**  
NOT TO SCALE



**PLAN**  
NOT TO SCALE

APPROVED:  
/S/  
DIRECTOR OF PUBLIC WORKS  
Aug 28, 2006  
DATE

**CITY OF  
SIMI VALLEY**  
DEPARTMENT OF PUBLIC WORKS

**DROP SEWER MANHOLE**

STANDARD PLAN NO.  
**SV 40-290**  
SHEET 1 OF 2

**NOTES:**

1. EXCEPT AS INDICATED HEREON OR ON THE PROJECT PLANS, MANHOLES SHALL CONFORM TO STANDARD PLAN NO. SV 40-100 PRECAST CONCRETE SEWER MANHOLE.
  
2. ALL PIPE FOR THE SEWER AND THE DROP INLET SHALL BE OF THE SAME MATERIAL AS THE SEWER UNLESS APPROVED ADAPTERS ARE UTILIZED. THEN IT SHALL, UNLESS OTHERWISE INDICATED ON THE PROJECT PLANS, BE ANY OF THE FOLLOWING:
  - A. PVC PLASTIC PIPE
  - B. PE PIPE
  - C. D.I.P.
  
3. DIMENSIONS:
  - H-SEE PROJECT PLANS
  - ELEVATION "A" - SEE PROJECT PLANS, UNLESS OTHERWISE INDICATED ON THE PROJECT PLANS,
  - $D_1 = 8$  INCHES
  - $D_o = 8$  INCHES
  - $D_M = 4'-0"$  (WHEN THE PROJECT PLANS INDICATE THAT  $D_M > 4'-0"$ , SEE PROJECT PLAN FOR ADDITIONAL REQUIREMENTS)
  
4. PRECAST CONCRETE MANHOLES SHALL BE PLUGGED DURING FABRICATION AT REQUIRED LOCATIONS TO PROVIDE FOR SEWER PIPE INLETS AND OUTLETS.
  
5. WHEN THE PROJECT PLANS INDICATE TWO OR MORE DROP INLETS ARE REQUIRED IN A SINGLE MANHOLE, EACH DROP INLET SHALL BE CONSTRUCTED AS A SEPARATE DROP INLET.

<u>APPROVED:</u>	<b>CITY OF SIMI VALLEY</b>	<b>DROP SEWER MANHOLE</b>	<u>STANDARD PLAN NO.</u>
/S/ DIRECTOR OF PUBLIC WORKS			<b>SV 40-290</b>
Aug 28, 2006	DEPARTMENT OF PUBLIC WORKS		
DATE			SHEET 2 OF 2