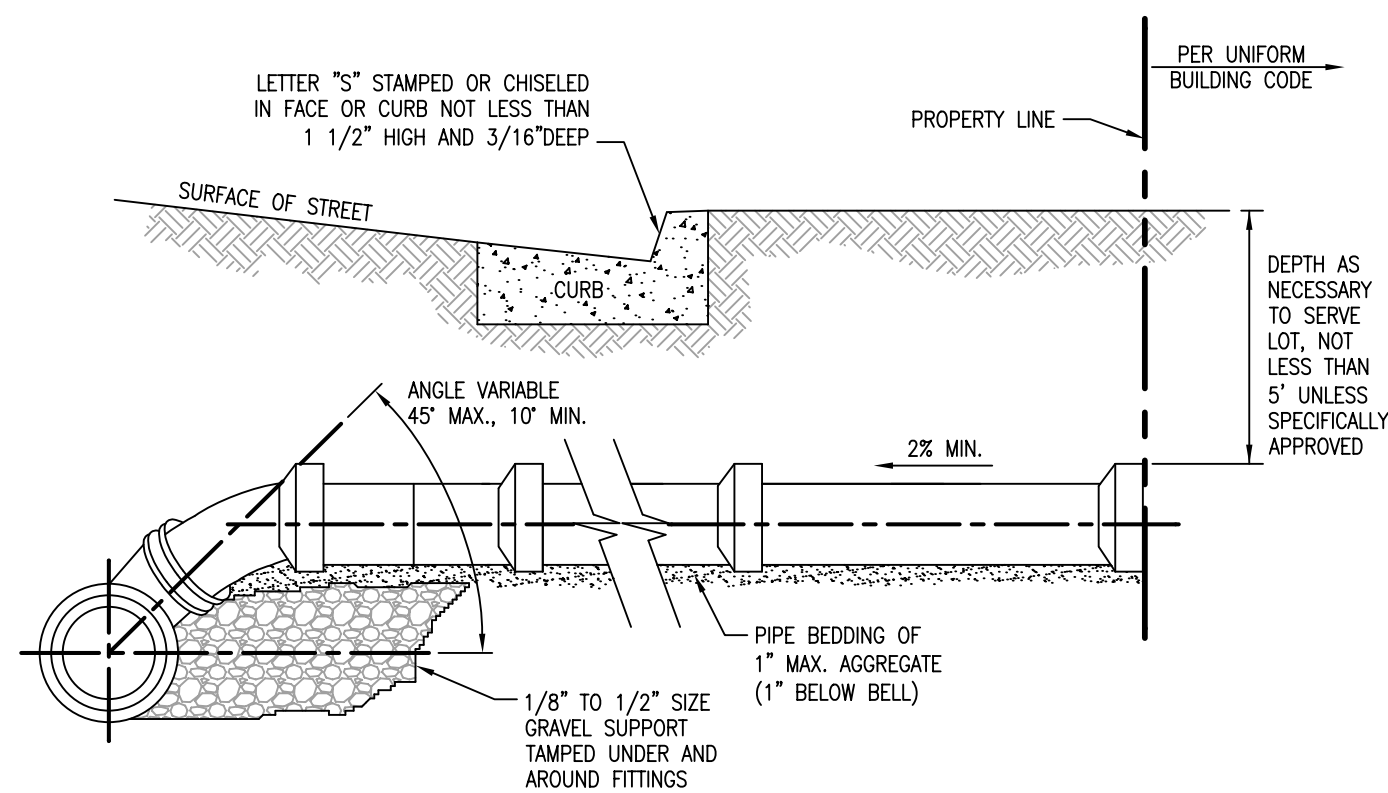


PLAN

NOT TO SCALE



ELEVATION

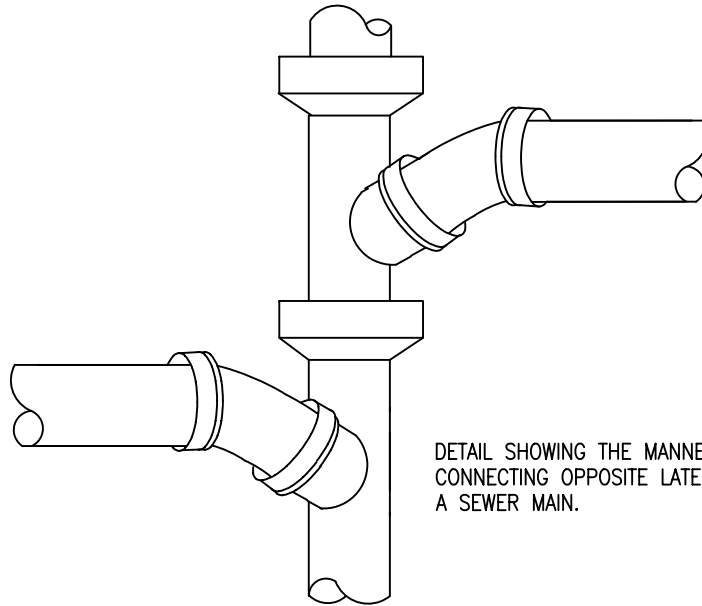
NOT TO SCALE

APPROVED:
/S/
DIRECTOR OF PUBLIC WORKS
Aug 28, 2006
DATE

**CITY OF
SIMI VALLEY**
DEPARTMENT OF PUBLIC WORKS

**STANDARD HOUSE
CONNECTION (SEWER LATERAL)
FOR SLOPES LESS THAN 30%**

STANDARD PLAN NO.
SV 40-200
SHEET 1 OF 2



DETAIL SHOWING THE MANNER OF
CONNECTING OPPOSITE LATERALS TO
A SEWER MAIN.

DETAIL

NOT TO SCALE

NOTES:

1. WHERE V.C.P. WYE IS INSTALLED WITHOUT HOUSE LATERAL A V.C. PLUG OR NEOPRENE STOPPER SHALL BE INSTALLED.
2. LATERAL SIZE TO BE DETERMINED ON THE BASIS OF TOTAL NUMBER OF FIXTURE UNITS DRAINED, BUT IN NO CASE SHALL THE LATERAL BE LESS THAN 6 INCHES DIAMETER.
3. IN NO CASE SHALL A LATERAL CONNECT TO THE SEWER MAIN DIRECTLY ON TOP OF THE PIPE.
4. SEWER LATERALS SHALL HAVE A MINIMUM SLOPE OF 1/4 INCH PER FOOT.
5. ALL JOINTS ON SEWER LATERAL PIPE SHALL BE COMPRESSION TYPE OR APPROVED SOLVENT WELD.
6. LATERAL SHALL EXTEND TO PROPERTY LINE UNLESS OTHERWISE SHOWN ON PLANS.
7. LOCATE LATERAL IN ACCORDANCE WITH WATER-WASTERWATER SEPARATION ORDINANCE. SEE CITY OF SIMI VALLEY STANDARD PLAN SV 40-10.
8. LOCATION OF ALL LATERALS SHALL BE SHOWN ON AS-BUILT DRAWINGS.

<p><u>APPROVED:</u> /S/ DIRECTOR OF PUBLIC WORKS Aug 28, 2006 DATE</p>	<p style="text-align: center;">CITY OF SIMI VALLEY</p> <hr style="width: 100%; border: 0; border-top: 1px solid black; margin: 5px 0;"/> <p style="text-align: center;">DEPARTMENT OF PUBLIC WORKS</p>	<p style="text-align: center;">STANDARD HOUSE CONNECTION (SEWER LATERAL) FOR SLOPES LESS THAN 30%</p>	<p><u>STANDARD PLAN NO.</u> SV 40-200 SHEET 2 OF 2</p>
--	---	--	---