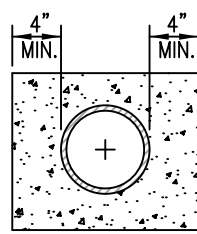
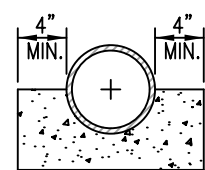


SECTION A-A
NOT TO SCALE



SECTION B-B
NOT TO SCALE



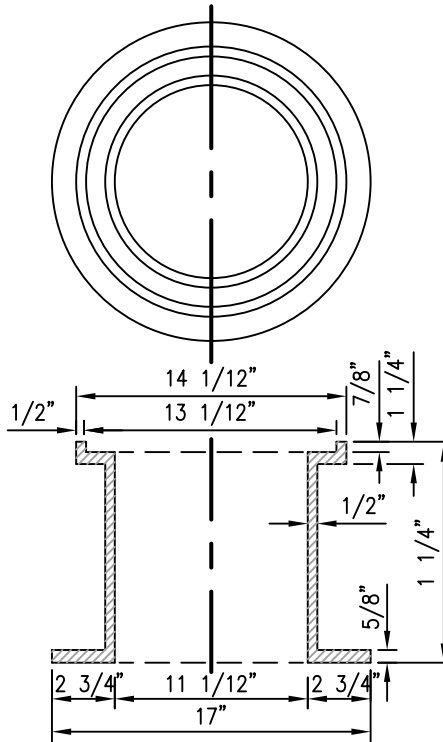
SECTION C-C
NOT TO SCALE

APPROVED:
 /S/
 DIRECTOR OF PUBLIC WORKS
 Aug 28, 2006
 DATE

CITY OF
 SIMI VALLEY
 DEPARTMENT OF PUBLIC WORKS

TERMINAL CLEANOUT
 STRUCTURE
 TYPE 'B'

STANDARD PLAN NO.
 SV 40-170
 SHEET 1 OF 2



SECTION ON CENTER OF FRAME

NOT TO SCALE

NOTES:

1. PROPER ALIGNMENT OF THE PIPE SHALL BE MAINTAINED WHILE PLACING THE CONCRETE.
2. THE FRAME AND COVER SHALL BE MADE OF GRAY IRON AS MANUFACTURED BY ALHAMBRA FOUNDRY A-1241 OR APPROVED EQUAL. COVER SHALL BE MARKED SEWER.
3. THIS STRUCTURE MAY BE USED WHEN ALLOWED BY THE ENGINEER UNDER THE FOLLOWING CONDITIONS:
 - A. THE SEWER WILL NEVER BE EXTENDED.
 - B. THE DISTANCE TO THE DOWNSTREAM MANHOLE IS LESS THAN 100 FEET.
 - C. THE RATE OF GRADE TO THE DOWNSTREAM MANHOLE IS 0.44% OR GREATER.
4. BACKFILL SHALL COMMENCE WHEN THE CONCRETE STRENGTH IS 75% OF THE SPECIFIED STRENGTH.

APPROVED:

/S/

DIRECTOR OF PUBLIC WORKS

Aug 28, 2006

DATE

CITY OF
SIMI VALLEY

DEPARTMENT OF PUBLIC WORKS

TERMINAL CLEANOUT
STRUCTURE
TYPE 'B'

STANDARD PLAN NO.

SV 40-170

SHEET 2 OF 2