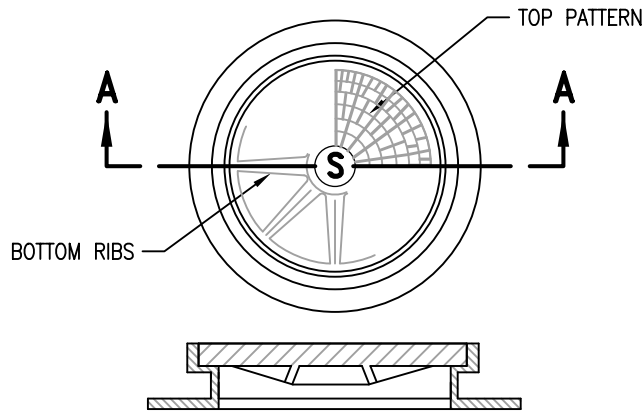


SECTION A-A
WATERTIGHT MANHOLE FRAME AND COVER

NOT TO SCALE

NOTE:

USE 24" DIAMETER ALHAMBRA FOUNDRY CO. PLATE NO. A-1254B OR APPROVED EQUAL.



SECTION A-A
STANDARD MANHOLE FRAME AND COVER

NOT TO SCALE

NOTE:

USE 24" DIAMETER ALHAMBRA FOUNDRY CO. PLATE NO. A-1176 OR APPROVED EQUAL.

APPROVED: <div style="text-align: center; font-size: 1.2em;">/S/</div>	CITY OF SIMI VALLEY <hr style="width: 50%; margin: 0 auto;"/> DEPARTMENT OF PUBLIC WORKS	WATERTIGHT & STANDARD MANHOLE FRAME & COVER	STANDARD PLAN NO. <div style="font-size: 1.2em; font-weight: bold;">SV 40-130</div> SHEET 1 OF 1
DIRECTOR OF PUBLIC WORKS Aug 28, 2006 DATE			