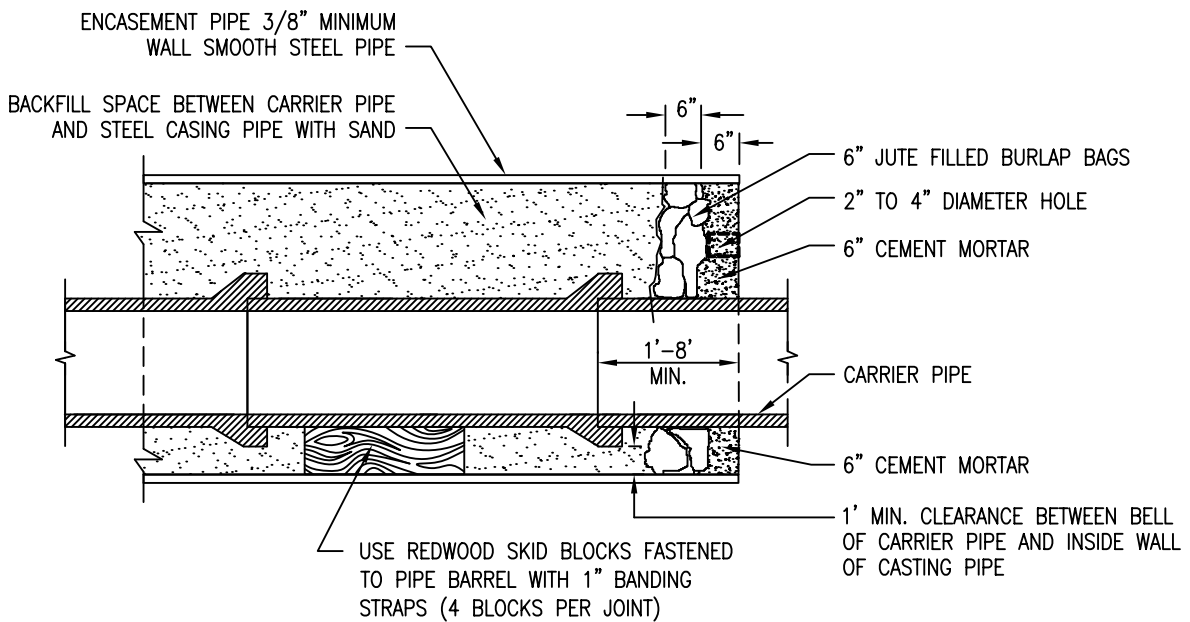


STANDARD PLUGS FOR UNCONNECTED PIPES

NOT TO SCALE



TYPICAL PIPE ENCASEMENT

NOT TO SCALE

APPROVED:

/S/

DIRECTOR OF PUBLIC WORKS

Aug 28, 2006

DATE

CITY OF
SIMI VALLEY

DEPARTMENT OF PUBLIC WORKS

STANDARD PLUGS AND
PIPE ENCASEMENTS

STANDARD PLAN NO.

SV 40-90

SHEET 1 OF 1