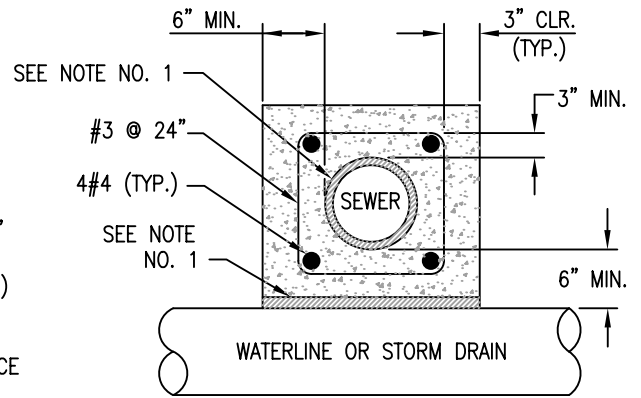


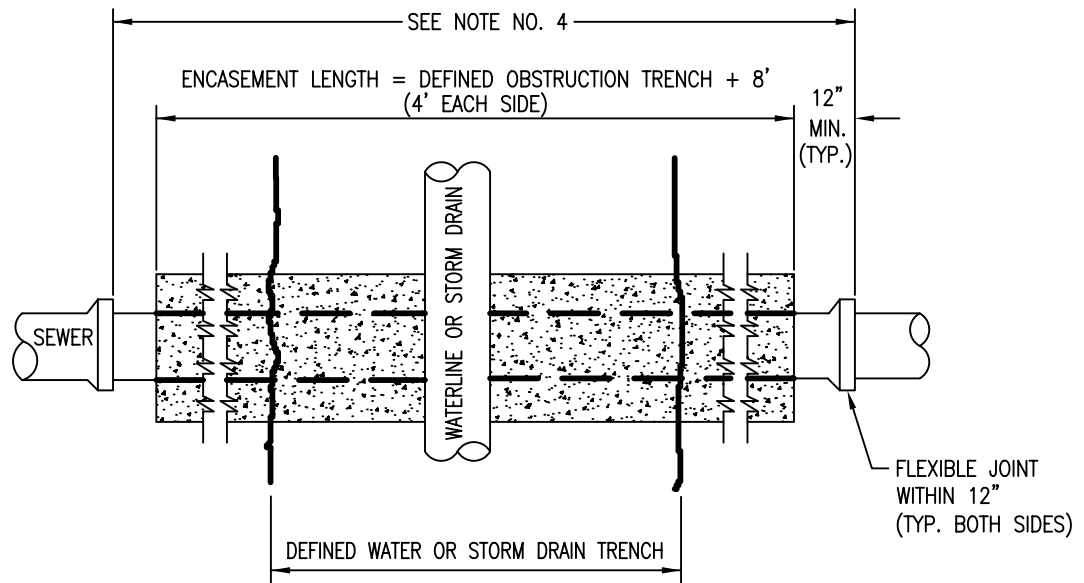
**UNDER OBSTRUCTION**

NOT TO SCALE



**OVER OBSTRUCTION**

NOT TO SCALE



**NOTES:**

1. PROVIDE 15# ROOFING FELT AROUND PIPE PRIOR TO CONCRETE POUR.
2. THIS CONSTRUCTION APPLIES WHERE CLEARANCE BETWEEN OUTSIDE OF PIPE OR PIPE/OBSTRUCTION EQUALS 12 INCHES OR LESS.
3. CONCRETE TO BE 560-C-3250, 3 INCHES CLEAR ON ALL REBARS.
4. WHEN CROSSING WATER MAINS USE D.I.P., FOR OTHER OBSTRUCTIONS ALTERNATE PIPE MATERIALS MAY BE ACCEPTABLE SUBJECT TO THE CITY OF SIMI VALLEY APPROVAL.
5. BACKFILL SHALL COMMENCE WHEN THE CONCRETE STRENGTH IS 75% OF THE SPECIFIED STRENGTH.

APPROVED:  
/S/  
DIRECTOR OF PUBLIC WORKS  
Aug 28, 2006  
DATE

**CITY OF  
SIMI VALLEY**  
DEPARTMENT OF PUBLIC WORKS

**WASTEWATER SPECIAL  
SUPPORT  
UNDER/ OVER OBSTRUCTION**

STANDARD PLAN NO.  
**SV 40-50**  
SHEET 1 OF 1