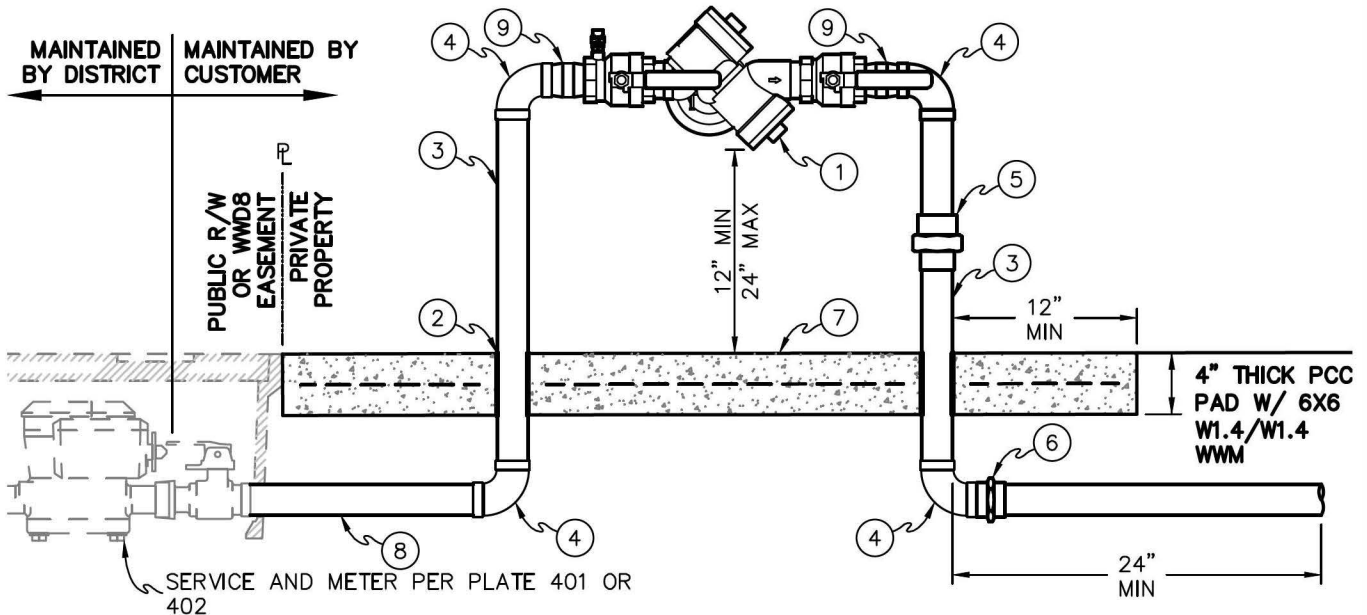


- ① 1" THROUGH 2" REDUCED PRESSURE BACKFLOW PREVENTOR WITH BALL VALVES
- ② WRAP W/ 10 MIL PE TAPE (TYP)
- ③ COPPER WATER TUBING, TYPE "K" RIGID
- ④ COPPER OR BRASS 90° ELBOW, NPT X C
- ⑤ COPPER OR BRASS UNION WITH COPPER SOLDER OR THREADED JOINTS
- ⑥ COPPER OR BRASS TO PVC ADAPTER, WHEN NEEDED
- ⑦ 18" WIDE X 4" THICK CONCRETE PAD, LENGTH VARIES PER ASSEMBLY SIZE
- ⑧ COPPER WATER TUBING, TYPE "L" SOFT
- ⑨ COPPER OR BRASS NIPPLE, NPT X NPT



NOTES:

1. PROVIDE A USC APPROVED BACKFLOW PREVENTION ASSEMBLY.
2. WWD8 MAINTENANCE RESPONSIBILITY STOPS AT THE METER. THE CUSTOMER IS RESPONSIBLE TO TEST AND MAINTAIN THE BACKFLOW PREVENTION ASSEMBLY. CERTIFICATION SHALL BE DELIVERED TO WWD8.
3. BACKFLOW CERTIFICATION TESTING IS REQUIRED ANNUALLY AT A MINIMUM BUT MAY BE MORE FREQUENT AS DEEMED NECESSARY BY WWD8. CERTIFICATION TESTING IS REQUIRED IMMEDIATELY AFTER AN ASSEMBLY IS RELOCATED, REPLACED, AND/OR REPAIRED.
4. BACKFLOW PREVENTION ASSEMBLY SIZE SHALL MATCH THE DIAMETER OF THE METER IN ACCORDANCE WITH THE UNIFORM PLUMBING CODE; CHAPTER 6, SECTION 610 AS AMENDED, OR UP TO 1" LARGER.
5. BACKFLOW PREVENTION ASSEMBLY INSTALLATIONS INCLUDING ALL APPURTENANCES FOR THE SUPPLY OF DOMESTIC WATER SHALL COMPLY WITH THE REQUIREMENTS OF THE CALIFORNIA LEAD-FREE ACT AB1953.
6. BACKFLOW PREVENTION ASSEMBLY SHALL BE LOCATED AS CLOSE AS PRACTICAL TO THE WATER METER BUT NOT FURTHER THAN 10' UNLESS A VARIANCE IS OBTAINED FROM WWD8 PRIOR TO INSTALLATION.
7. NO OUTLETS, TEES, OR CONNECTIONS SHALL BE ALLOWED BETWEEN THE METER AND THE BACKFLOW PREVENTION ASSEMBLY.
8. BACKFLOW PREVENTION ASSEMBLIES SHALL MAINTAIN A VERTICAL CLEARANCE FROM THE LOWEST POINT OF 12" (MIN) TO 24" (MAX) ABOVE FINISHED GRADE, WITH SIDE AND TOP CLEARANCES OF 12" (MIN) FOR ANY OBSTRUCTIONS IN ALL DIRECTIONS.
9. PARALLEL INSTALLATIONS OF THE SAME BACKFLOW PREVENTION ASSEMBLIES ARE RECOMMENDED FOR ALL FACILITIES REQUIRING UNINTERRUPTED WATER SUPPLY, SUCH AS, HOSPITALS AND SCHOOLS.
10. THEFT PREVENTION DEVICES ARE RECOMMENDED FOR BRASS ASSEMBLIES ALLOWING ADEQUATE ACCESS TO THE ASSEMBLY FOR TESTING, MAINTENANCE, AND PROPER DRAINAGE.
11. ALL MATERIALS AND CONSTRUCTION SHALL MEET THE REQUIREMENTS AS SPECIFIED IN THE DISTRICT'S WATER DESIGN AND CONSTRUCTION STANDARDS MANUAL.
12. PRE-APPROVED MANUFACTURES AND MODEL NUMBERS ARE LISTED IN THE DISTRICT'S APPROVED MATERIALS LIST FOR WATER IMPROVEMENT PROJECTS.



**Ventura County
Waterworks
District No. 8**

**REDUCED PRESSURE PRINCIPLE
BACKFLOW ASSEMBLY, 2" AND SMALLER**

RECOMMENDED:

/s/

DEPUTY DIRECTOR / DISTRICT ENGINEER

APPROVED:

/s/

DIRECTOR OF PUBLIC WORKS

JUL 2021

PLATE
601