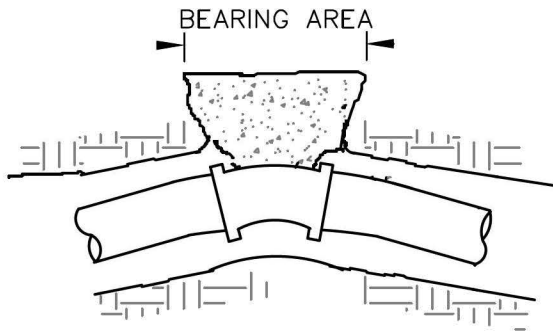
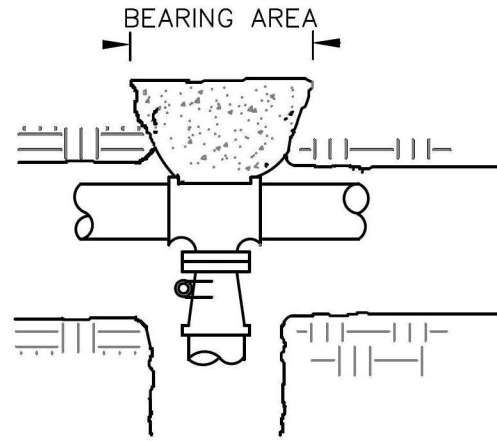


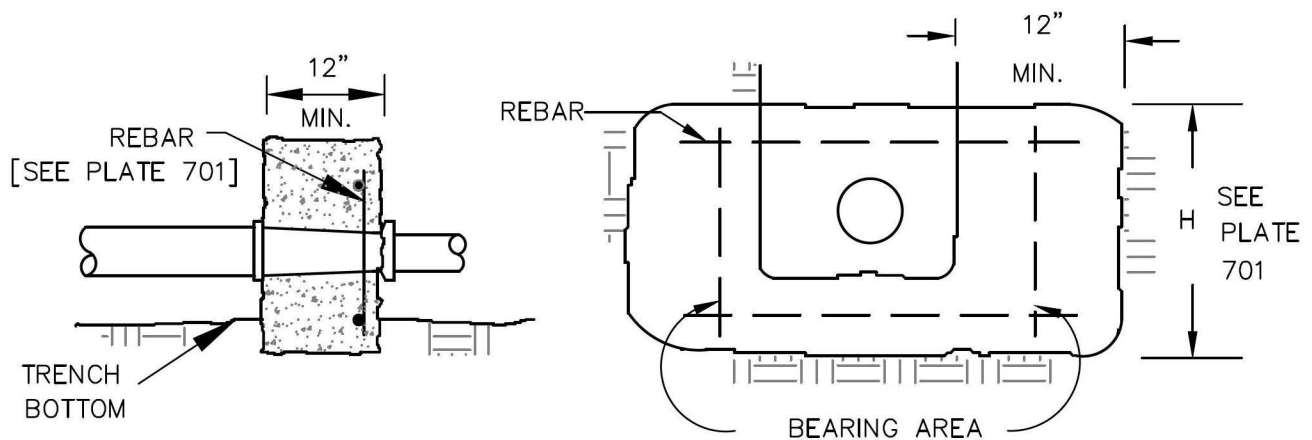
$\Delta = 90^\circ, 45^\circ, 22.5^\circ, 11.25^\circ$



ELBOWS



TEES



REDUCER

NOTES:

1. THRUST BLOCKS SHALL BEAR ON UNDISTURBED SOIL.
2. FOR THRUST BLOCK SIZES SEE PLATE 701.
3. SPECIAL DESIGN & DISTRICT ENGINEER APPROVAL REQUIRED FOR VERTICAL ANGLES GREATER THAN 45°.
4. CONCRETE TO EXTEND MIN. 12" AT OUTSIDE OF PIPE RADIUS AND 6" AT INSIDE OF PIPE RADIUS PIPE INTO UNDISTURBED SOIL.
5. ALL MATERIALS AND CONSTRUCTION SHALL MEET THE REQUIREMENTS AS SPECIFIED IN THE CITY'S WATER DESIGN AND CONSTRUCTION STANDARDS MANUAL.
6. PRE-APPROVED MANUFACTURES AND MODEL NUMBERS ARE LISTED IN THE CITY'S APPROVED MATERIALS LIST FOR WATER IMPROVEMENT PROJECTS



**Ventura County
Waterworks
District No. 8**

**THRUST BLOCK FOR PUSH JOINT/
MECHANICAL JOINT CONNECTIONS**

RECOMMENDED:

/s/

DEPUTY DIRECTOR / DISTRICT ENGINEER

APPROVED:

/s/

DIRECTOR OF PUBLIC WORKS

JUL 2021

PLATE
702